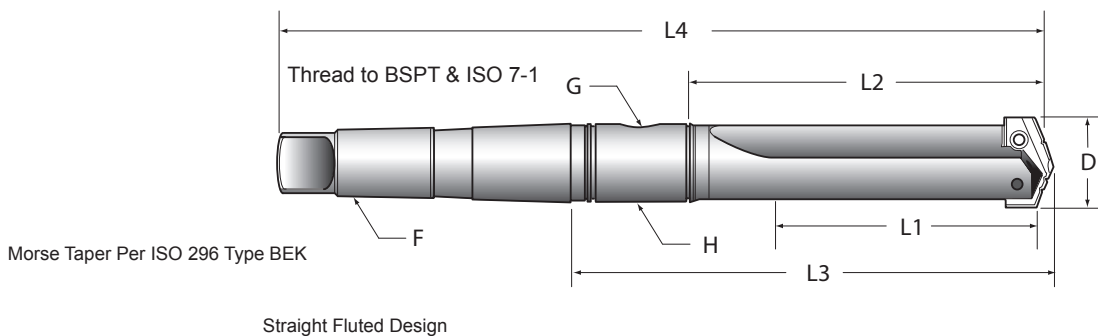


Flanged Straight Shank

Available Ex-Stock

Part Number	Holder Type	Flute Type	D	L1	L2	L3	L4	L5	D1	G	*
			Drill Range D (mm)	Max Drill Depth (mm)	Body Length (mm)	New Tool Ref Length (mm)	Overall Length (mm)	Shank Length (mm)	Shank Diameter (mm)	Pipe Tap	
210Z0S-16FM	Stub	Straight	11.11-12.80	19.1	45.6	48.0	93.6	48	16.0	1/16"	1/8"
220Z0S-20FM	Short	Straight	11.11-12.80	32	61.1	63.5	111.1	50	20.0	1/8"	N/A
240Z0H-20FM	Standard	Helical	11.11-12.80	60	89.7	92.1	139.7	50	20.0	1/8"	N/A
N 245Z0H-20FM	Standard Plus	Helical	11.11-12.80	86	115.4	117.8	165.4	50	20.0	1/8"	N/A
⚠ 250Z0H-20FM	Extended	Helical	11.11-12.80	111	140.5	142.9	190.5	50	20.0	1/8"	N/A
N ⚠ 260Z0H-20FM	Long	Helical	11.11-12.80	180	209.4	211.8	259.4	50	20.0	1/8"	N/A
⚠ 270Z0S-20FM	XL	Straight	11.11-12.80	222.3	251.7	254.1	301.7	50	20.0	1/8"	N/A
⚠ 290Z0S-20FM	3XL	Straight	11.11-12.80	290.5	319.9	322.3	369.9	50	20.0	1/8"	N/A

*Note: Stub Length includes additional side coolant port.



Taper Shank

Available Ex-Stock

Part Number	Holder Type	Flute Type	D	L1	L2	L3	L4	F	H	G
			Drill Range (mm)	Max Drill Depth (mm)	Body Length (mm)	New Tool Length (mm)	Overall Length (mm)	MT	RCA	Pipe Tap
220Z0S-002M	Short	Straight	11.11-12.80	32	51.5	88	160.3	2	2SRM	1/16"
240Z0H-002M	Standard	Helical	11.11-12.80	60	80.2	116.7	188.9	2	2SRM	1/16"
⚠ 250Z0H-002M	Extended	Helical	11.11-12.80	111	130.9	167.4	239.7	2	2SRM	1/16"

N This symbol can be found throughout this catalogue and highlights NEW products!

⚠ WARNING For Deep Hole Drilling Guidelines refer to page 83 in the Technical Section.

Visit www.alliedmaxcut.com for the most up-to-date information and procedures.

Technical assistance is available for your specific applications from our Application Engineering Team.

For Holder Accessories please see pages 84 - 88.